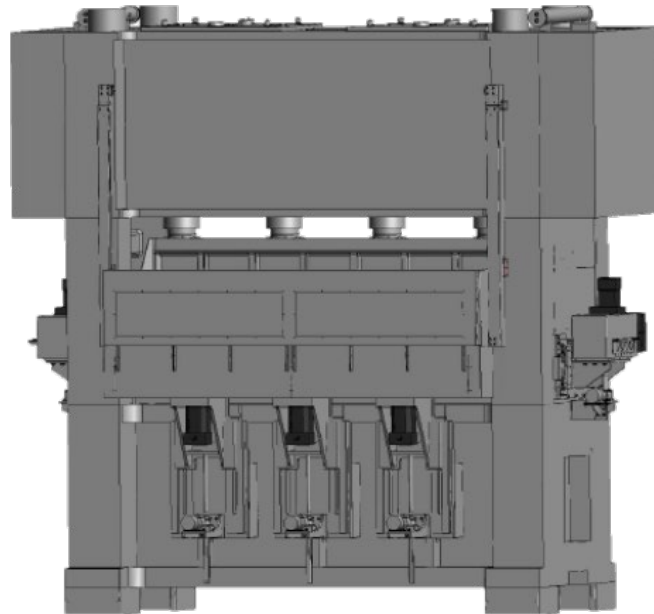




Product Launch of a Wide-Area (4300 mm) MSP Series Press for Forming Large Motor Cores for EVs

AIDA ENGINEERING, LTD. (Representative Director and President: Toshihiko Suzuki) has developed a wide-area (4300 mm) MSP Series press model for forming large motor cores for EVs.



MSP-4000-430

■ Development Background

The usage of ultra-thin materials and adhesive laminating methods in EV drive motor production is growing as a way to improve motor performance and to reduce motor size and weight. Moreover, there is a growing need for wider forming areas to accommodate the additional forming stages required by increasingly complex die shapes.

AIDA developed the new MSP-4000-430 model (Capacity: 4000 kN) to meet the dual requirements of high product accuracy and a wide forming area.

■ Primary Specifications

- The forming area has been increased to 4300 mm, an increase of 600 mm compared to previous models.
- The side opening can accommodate 600 mm material widths and allows up to "3-out" blanking.

■ Product Launch: June 2024

- ※Please contact AIDA for details about sales regions and specifications.
- ※Please note that this information is subject to change without notice.

< Inquiries Relating to This Subject >

Sales HQ, AIDA ENGINEERING, LTD. (Contact: Mr. Gomi)
TEL: 042-772-5271; Email: ae-sales@aida.co.jp